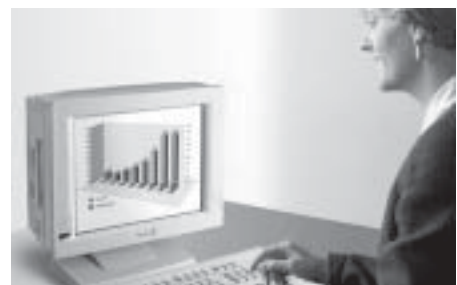


Installation Accessories for PPC



Advantech Panel Computers can fit perfectly in a variety of applications

- Point of information (POI) kiosks
- Point of care system solutions
- High-level point of sale (POS) systems
- Factory and machinery automation
- Hospitality management
- Instrumentation and control
- Store and service automation
- Banking and finance
- Transportation and navigation



Introduction

Advantech's Panel Computers are the most powerful all-in-one LCD computers available on the market. They have been designed to be slim and compact, to enable them to be installed into all kinds of work environments and applications. The Panel Computers can be wall mounted, panel mounted or simply placed on a desktop with an elegant stand or a swingarm stand. Integrated mounting holes and features make any kind of mounting option a breeze.

Ordering Information

Part No.	Description
PPC-S153 WL-MT	Wall mount kit for PPC-S153 series
PPC-S153 STAND	Stand kit for PPC-S153 series
PPC-150 SWINARM	Swing arm kit for PPC-153/150 series
PPC-S123 WL-MT	Wall mount kit for PPC-S123 series
PPC-120 SWINARM	Swing arm kit for PPC-123/120 series
PPC-120 STAND	Stand for PPC-153/150 and PPC-123/120 series
PPC-120 WALL-MT	Wall mount kit for PPC-153/150 and PPC-123/120 series
PPC-100 SWINARM	Swing arm kit for PPC-100/103/105
PPC-100 STAND	Stand kit for PPC-100/103/105
PPC-100 WALL-MT	Wall mount kit for PPC-100/103/105
PPC-A84 UNIARM	Universal arm for PPC-A84T/A120T series
PPC-L126 WL-MT	Wall Mount Kit for PPC-L126T
PPC-L126 STAND	Desktop Stand for PPC-L126T
PPC-ARM-A01	VESA standard ARM for PPC series
PPC-ARM-A02	PPC-ARM-A01 with adaptor for PPC-153/123

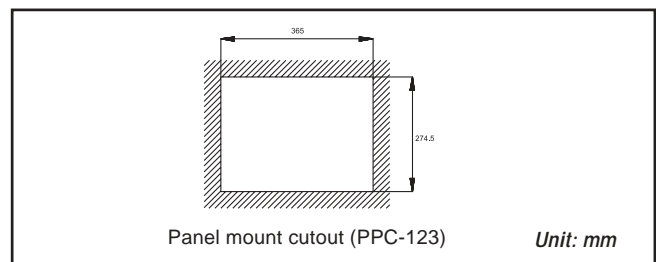
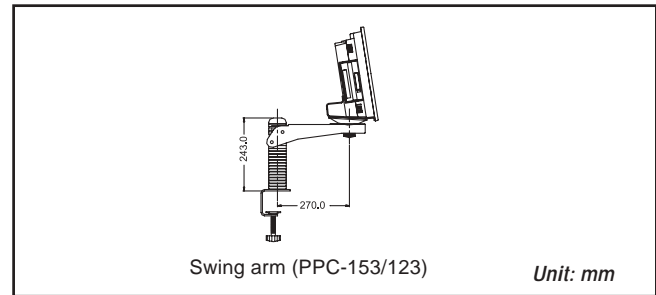
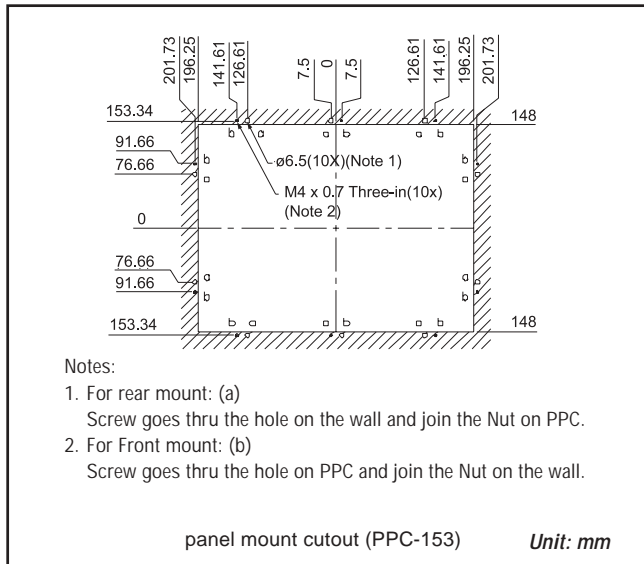
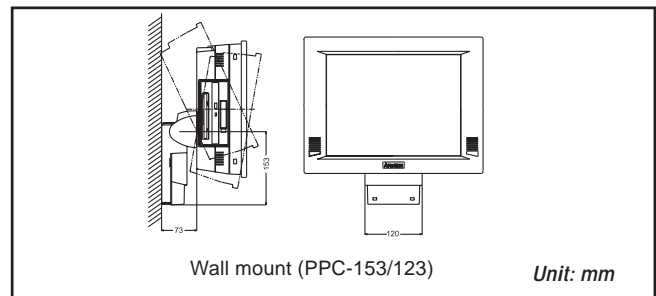
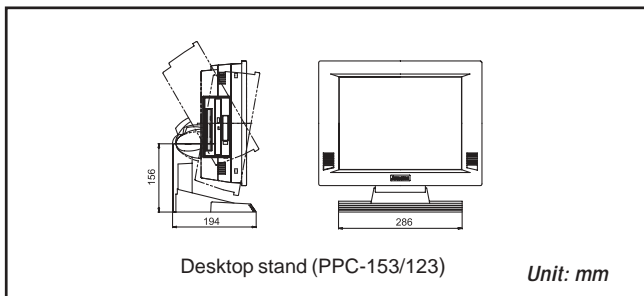
General Purpose Panel Computers

Note: All specifications are subject to change without notice.

Installation Accessories – PPC-153/123 Series



Dimensions



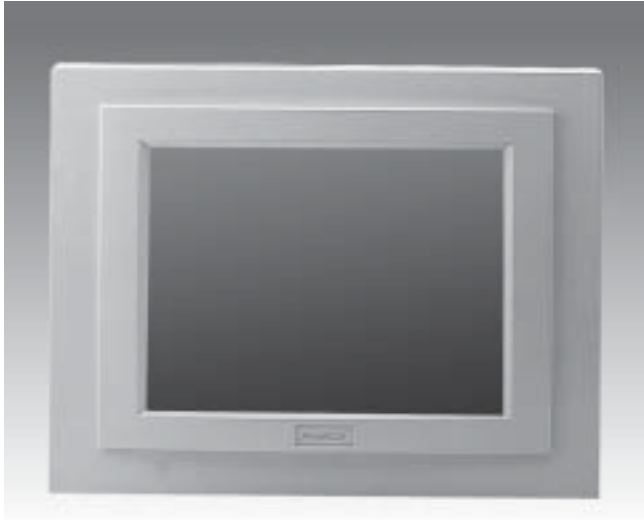
PPC-153/123 Series

	Desktop Stand	Swing Arm		Wall Mount Kit	Panel Mount Kit	
		PPC-153	PPC-123		PPC-153	PPC-123
Dimensions(mm)(WxHxD)	286x156x194	270x243(RxH)		120x153x73	293x296*	356x275*
Weight (kg)	1.8	4.3	4.05	1.5	0.1	
Rotation Range	-10°~+30°	-10°~+10°		-10°~+25°	N/A	
Part No.	PPC-120 STAND	PPC-150 SWINARM	PPC-120 SWINARM	PPC-120 WALL-MT	included in standard purchase of PPC-153/123 series	
		PPC-ARM-A02				

*:Cut-out dimensions
 #:"+"means counter-clockwise rotation angle;"-"means clockwise rotation angle

- SoC 1
- RISC 2
- SOM 3
- SBC 4
- PC/104 5
- Slot CPU 6
- POS 7
- Security 8
- Medical 9
- Smart Home 10
- Kiosk 11
- PPC 12
- Appx 13
- Index

Installation Accessories – PPC-103/105 Series



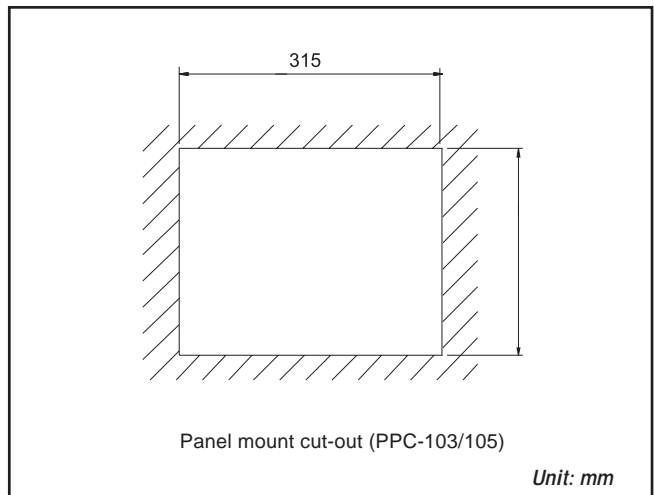
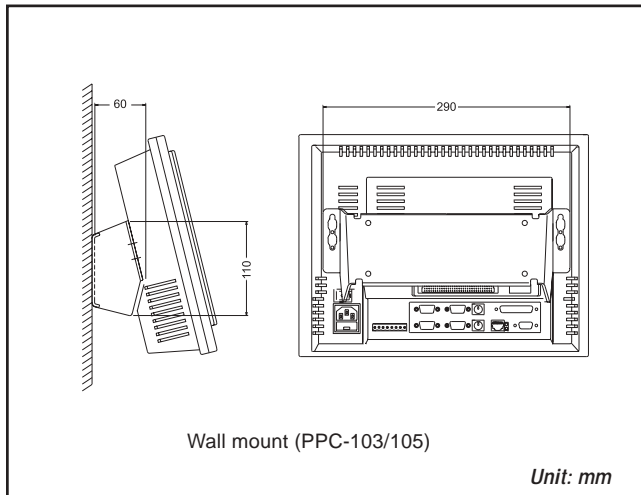
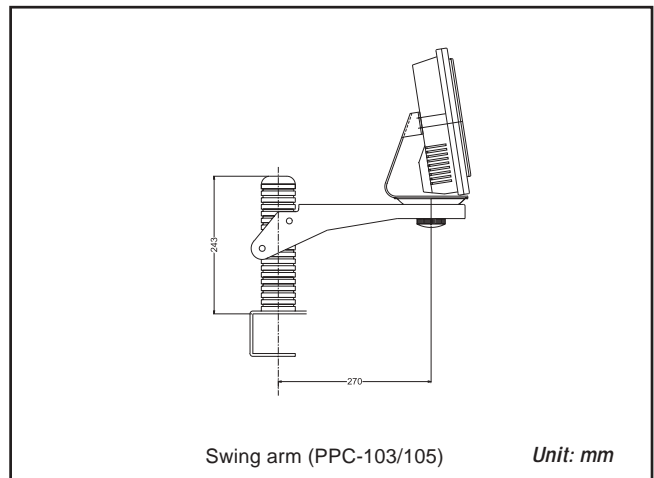
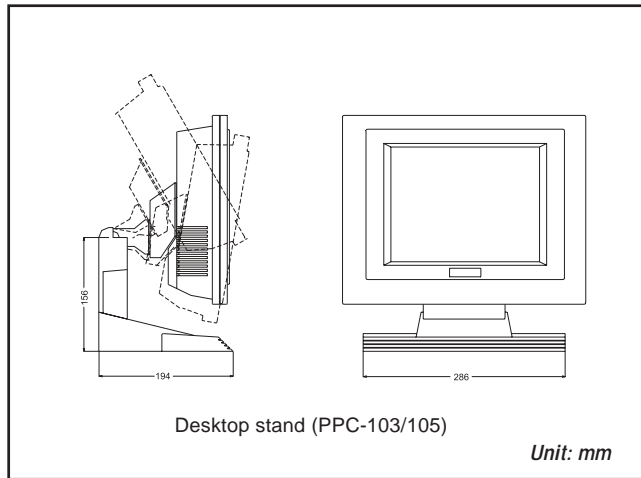
PPC-103/105 Series

	Desktop Stand	Swing Arm	Wall Mount Kit	Panel Mount Kit
Dimensions (mm) (W x H x D)	286 x 156 x 194	270 x 243 (R x H)	290 x 110 x 60	315 x 247*
Weight (kg)	2.0	3.4	0.3	0.1
Rotation Range	-10 ° ~+30 °	-10° ~+10°	N/A	N/A
Part No.	PPC-100 STAND	PPC-100 SWINARM	PPC-100 WALL-MT	Included in standard purchase of PPC-103/105 series

*:Cut-out dimensions

#: "+" means counter-clockwise rotation angle; "-" means clockwise rotation angle

Dimensions



General Purpose Panel Computers

Note: All specifications are subject to change without notice.

Installation Accessories – PPC-L126



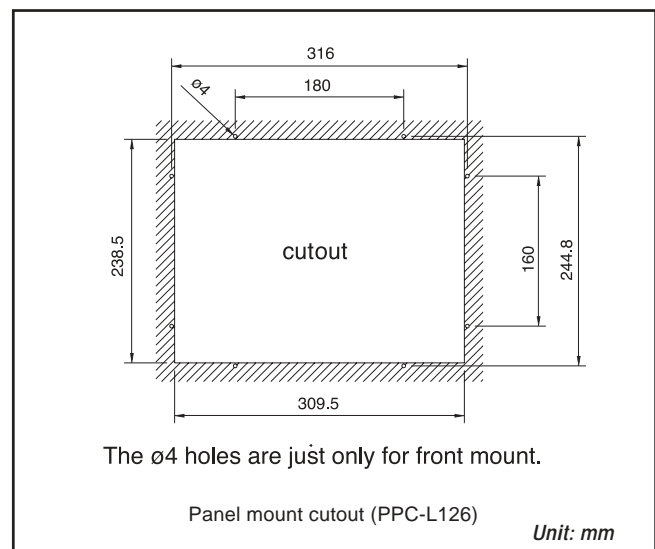
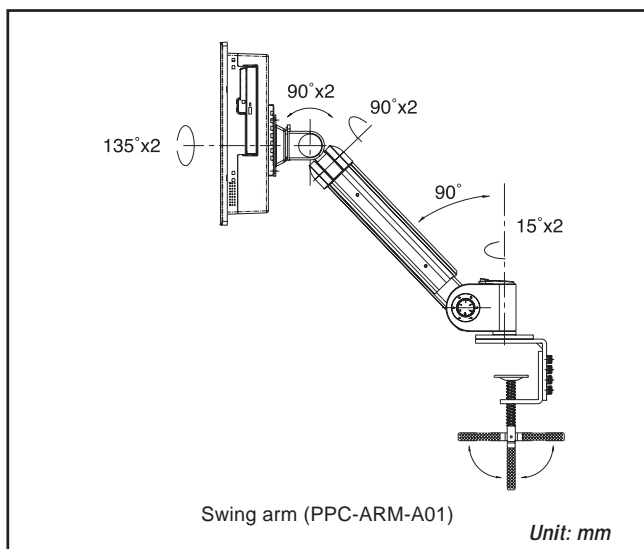
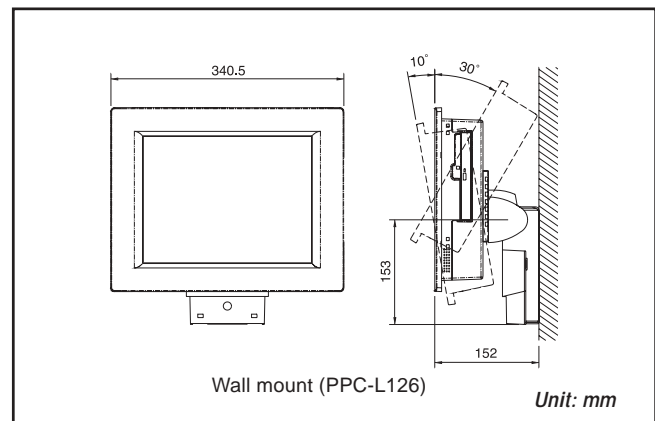
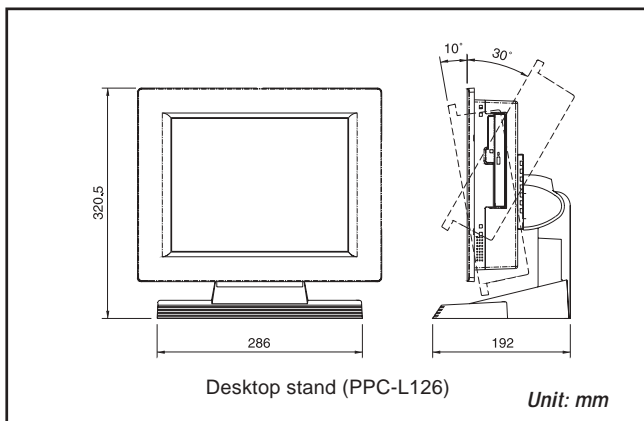
PPC-L126

	Desktop Stand	Swing Arm	Wall Mount Kit	Panel Mount Kit
Dimensions (mm) (W x H x D)	286 x 156 x 194	510 x 165 x 85	120 x 153 x 73	309.5 x 238
Weight (kg)	1.8	4.2	1.5	0.1
Rotation Range	-10° ~ +30°	180°	-10° ~ +25°	N/A
Part No.	PPC-L126 STAND	PPC-ARM-A01	PPC-L126 WL-MT	Included in standard purchase of PPC-L126

*:Cut-out dimensions

#:"+"means counter-clockwise rotation angle;"-"means clockwise rotation angle

Dimensions



- SoC 1
- RISC 2
- SOM 3
- SBC 4
- PC/104 5
- Slot CPU 6
- POS 7
- Security 8
- Medical 9
- Smart Home 10
- Kiosk 11
- PPC 12
- Appx 13
- Index

Installation Accessories – PPC-A120

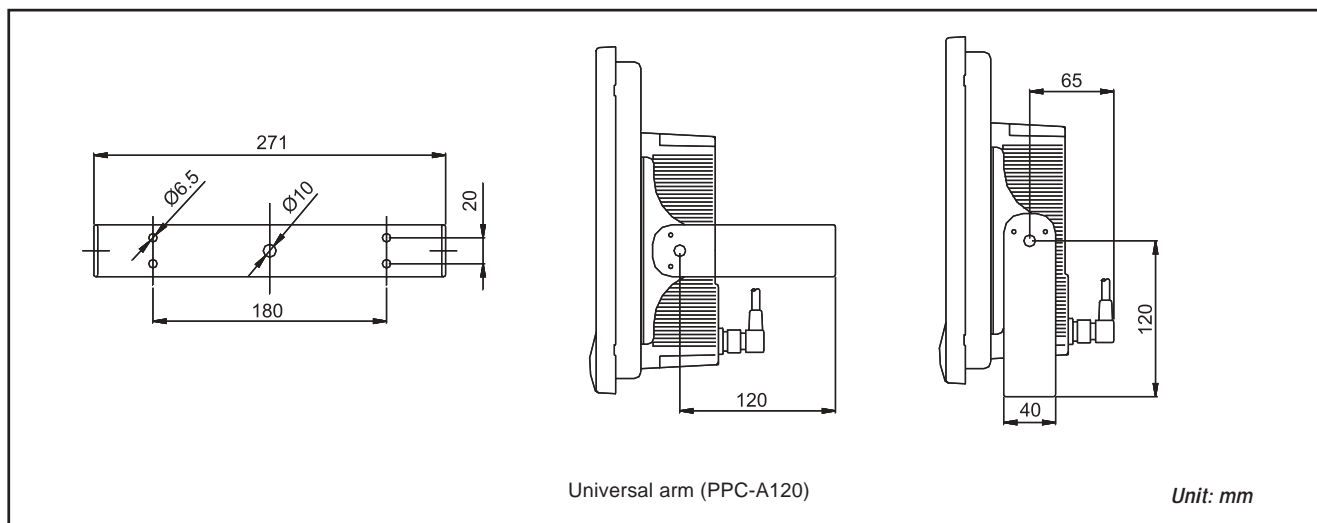
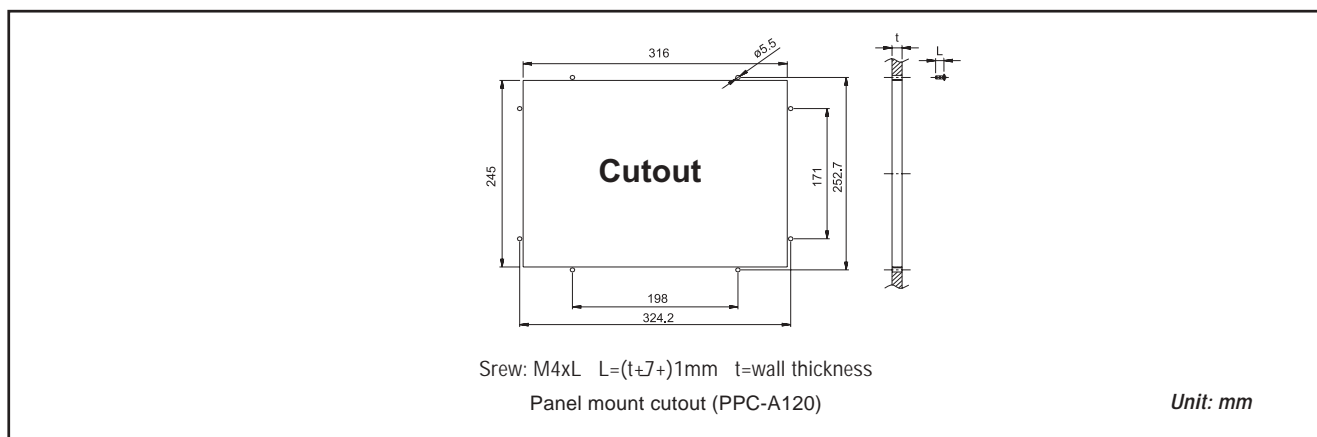


PPC-A120

	Universal Arm	Panel Mount Kit
	PPC-A120	PPC-A120
Dimensions (mm) (W x H xD)	271 X 120	316 x 245*
Weight (kg)	0.9	0.1
Rotation Range	180°	N/A
Part No.	PPC-A84 UNIARM	Included in standard purchase of PPC-A120

*:Cut-out dimensions

Dimensions



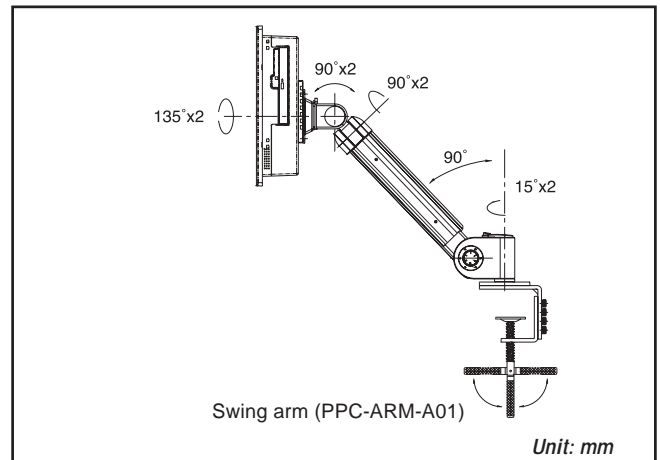
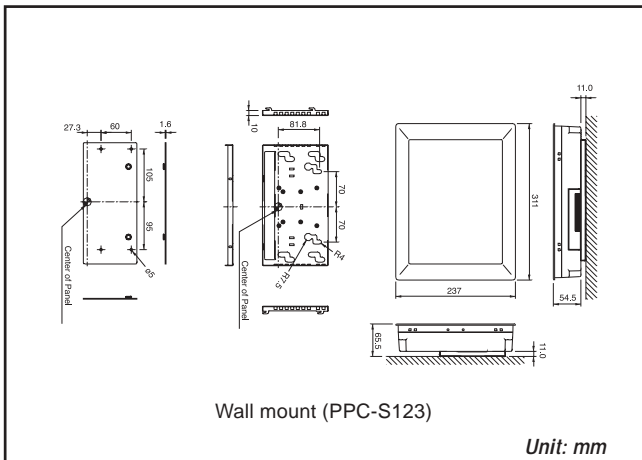
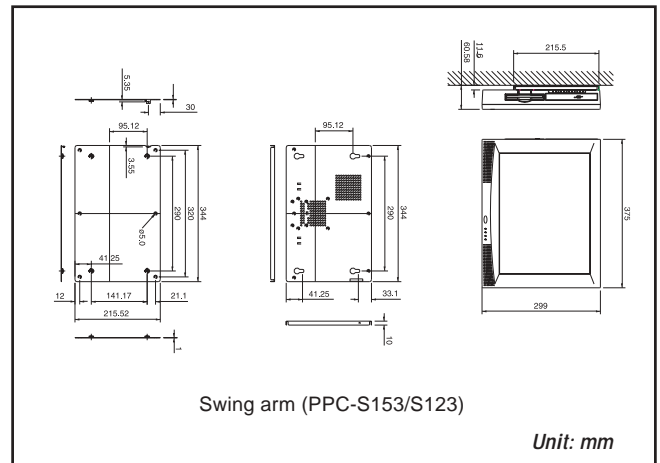
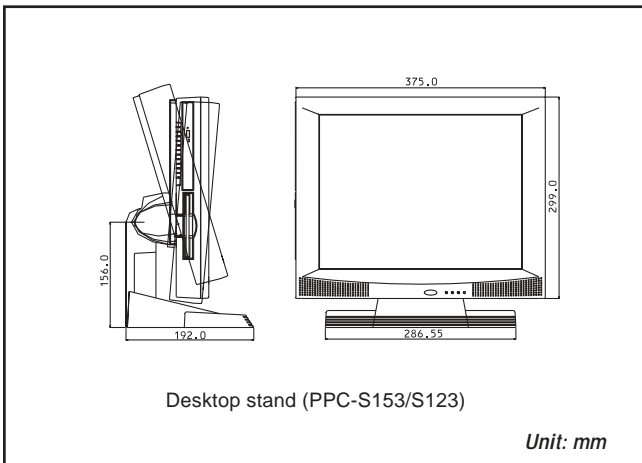
General Purpose Panel Computers

Note: All specifications are subject to change without notice.

Installation Accessories – PPC-S153/S123 Series



Dimensions



PPC-S153/S123 Series

	Desktop Stand	Wall Mount Kit		Panel Mount Kit	Swing Arm	
	PPC-S153	PPC-S153	PPC-S123	PPC-S123	PPC-S153	PPC-S123
Dimensions (mm) (W x H x D)	286 x 156 x 194	344 x 215.5 x 16	241 x 106 x 16	302 X 228*	510 x 165 x 85	
Weight (kg)	1.8	1.5	1.0	0.1	4.2	
Rotation Range	-10 ° ~+30 °	N/A	N/A	N/A	180°	
Part No.	PPC-S153 STAND	PPC-S153 WL-MT	PPC-S123 WL-MT	Included in standard purchase of PPC-S123 series	PPC-ARM-A01	

*:Cut-out dimensions

#: "+" means counter-clockwise rotation angle; "-" means clockwise rotation angle

[Datasheet Download & Buy Online](#)

Address: www.advantech.com/ecg/

Enter

SoC 1

RISC 2

SOM 3

SBC 4

PC/104 5

Slot CPU 6

POS 7

Security 8

Medical 9

Smart Home 10

Kiosk 11

PPC 12

Appx 13

Index