

MIC-3716

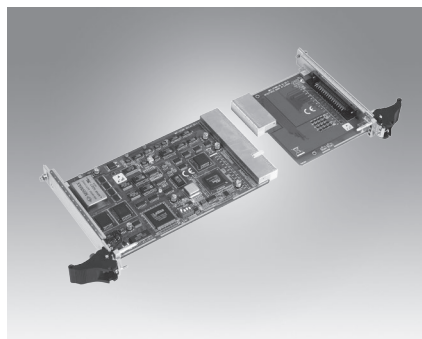
MIC-3723

MIC-3758

250 kS/s, 16-bit, 16-ch Multifunction 3U CompactPCI® Card

16-bit, 8-ch Analog Output 3U CompactPCI® Card

128-CH Isolated Digital I/O 3U CompactPCI® Card



MIC-3716/3



Specifications

Analog Input

- Channels: 16 single-ended, 8 differential, or combination
- Resolution: 16 bits
- Max. Sampling Rate: 250 kS/s
- FIFO Size: 1024 samples/ch
- Overvoltage Protection: 30 Vp-p
- Input Impedance: 100 M Ω /10 pF (Off); 100 M Ω /100 pF (On)
- Sampling Modes: Software, pacer, or external
- Input Range: ±10, ±5, ±2.5, ±1.25, ±0.625

Bipolar	±10	±5	±2.5	±1.25	±0.625
Unipolar	-	0 ~ 10	0 ~ 5	0 ~ 2.5	0 ~ 1.25
Accuracy (% of FSR ±1LSB)	0.15	0.03	0.03	0.05	0.1

Analog Output

- Channels: 2
- Resolution: 16 bits
- Output Rate: Static update
- Output Range: ±5, ±10

Internal Reference	Bipolar	±5, ±10
	Unipolar	0 ~ 5, 0 ~ 10
External Reference		0 ~ +x V @ +x V (-10 ≤ x ≤ 10) -x ~ -x V @ +x V (-10 ≤ x ≤ 10)

- Slew Rate: 20 V/ μ s
- Driving Capability: ±20 mA
- Output Impedance: 0.1 Ω max.
- Operation Mode: Single output
- Accuracy: Relative: ±1LSB

Digital Input/Output

- Channels: 16, 5V/TTL
- Input Voltage: Logic 0: 0.4 V max. Logic 1: 2.4 V min.
- Output Voltage: Logic 0: 0.4 V max. Logic 1: 2.7 V min.
- Output Capability: Sink: 0.4 V max. @ +8 mA Source: 2.4 V min. @ -0.4 mA

Counter/Timer

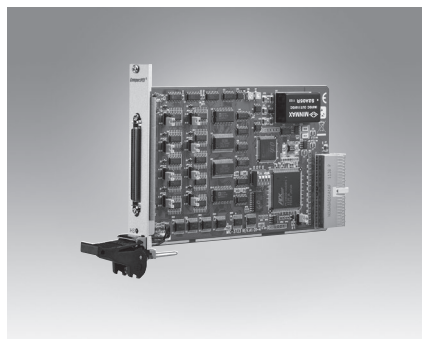
- Channels: 3
- Compatibility: 5 V/TTL
- Resolution: 16 bits
- Max. Input Frequency: 1 MHz
- Reference Clock: Internal 10 MHz External Clock Frequency 10 MHz External Voltage Range TTL (Low: 0.8, High: 2 V)

General

- PICMG Compliance: CompactPCI V2.0, R 2.1 Hot-Swap V2.1, R 2.0
- Bus Type: CompactPCI
- I/O Connector Type: 68-pin SCSI-II female
- Dimensions (L x H): 160 x 100 mm (6.9" x 3.9") with 3U Bracket
- Power Consumption: Typical: +5 V @ 850 mA, +12 V @ 600 mA Max.: +5 V @ 1 A, +12 V @ 700 mA
- Certification: CE

Ordering Information

- MIC-3716/3-AE: 3U, 250 kS/s, 16-bit, 16-ch High-Resolution Multifunction Card Industrial Wiring Terminal Board with CJC circuit for DIN-rail Mounting. (cable not included)
- PCLD-8710-AE: 68-pin SCSI-II cable with male connectors on both ends and special shielding for noise reduction, 1 and 2 m
- PCL-10168-1E/2E: 68-pin SCSI-II Wiring Terminal Board for DIN-rail Mounting
- ADAM-3968-AE: 68-pin SCSI-II Wiring Terminal Board for DIN-rail Mounting



MIC-3723/3



Specifications

Analog Output

- Channels: 8
- Resolution: 16 bits
- Output Rate: Static update
- Output Range: (V, software programmable)

Internal Reference	Unipolar	±10 V
	Current Loop	0 ~ 20 mA, 4 ~ 20 mA

- Slew Rate: 20 V/ μ s
- Driving Capability: 5 mA
- Output Impedance: 0.1 Ω max.
- Operation Modes: Single output, synchronized output

Digital Input/Output

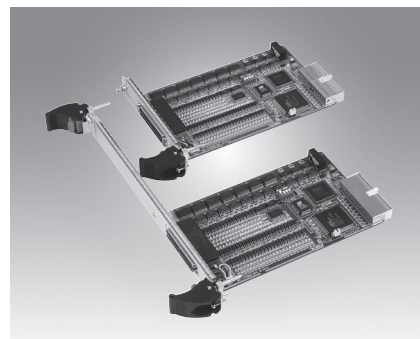
- Channels: 16, 5V/TTL
- Input Voltage: Logic 0: 0.8 V max. Logic 1: 2.0 V min.
- Output Voltage: Logic 0: 0.5 V max. @ 24 mA Logic 1: 2.4 V min. @ -15 mA Sink: 0.5 V max. @ 24 mA Source: 2.4 V min. @ -15 mA
- Output Capability: Sink: 0.5 V max. @ 24 mA Source: 2.4 V min. @ -15 mA

General

- PICMG Compliance: CompactPCI V2.0, R 2.1 Hot-Swap V2.1, R 2.0
- Bus Type: CompactPCI
- I/O Connector Type: 68-pin SCSI-II female
- Dimensions (L x H): 160 x 100 mm (6.9" x 3.9") with 3U Bracket
- Power Consumption: Typical: 5 V @ 850, 12 V @ 600 mA
- Certification: CE

Ordering Information

- MIC-3723/3-AE: 3U CompactPCI 16-bit, 8-ch non-isolated analog output card
- PCL-10168-1E: 68-pin SCSI-II cable with male connectors on both ends and special shielding for noise reduction, 1 and 2 m
- PCL-10168-2E: 68-pin SCSI-II Wiring Terminal Board for DIN-rail mounting
- ADAM-3968-AE: 68-pin SCSI-II Wiring Terminal Board for DIN-rail mounting



MIC-3758/3



Specifications

Isolated Digital Input

- Channels: 64
- Input Voltage: Logic 0: 2.5 V max. Logic 1: 5 V min. (25 V max)
- Interrupt Capable Ch.: 64
- Isolation Protection: 2,500 V_{DC}
- Opto-Isolator Response: 50 μ s
- Input Resistance: 3 k Ω

Isolated Digital output

- Channels: 64
- Output Type: Sink (NPN)
- Isolation Protection: 2500 V_{DC}
- Output Voltage: 5 ~ 40 V_{DC}
- Sink Current: 90 mA max./Channel
- Opto-isolator Response: 50 μ s

General

- Bus Type: CPCI bus spec. 2.1 compliant
- I/O Connectors: 1 x MINI-SCSII HDRA-E100 Female
- Dimensions (L x H): 160 x 100 mm (6.9" x 3.9") with 3U Bracket
- Power Consumption: Typical: +5 V @ 800 mA, +3.3 V @ 600 mA Max.: +5 V @ 1 A, +3.3 V @ 1 A
- Operating Temperature: 0 ~ 60°C (32 ~ 140°F)
- Storage Temperature: -20° ~ 70°C (-4° ~ 158°F)
- Storage Humidity: 5 ~ 95% (IEC 68-2-3) non-condensing

Ordering Information

- MIC-3758/3-AE: 3U CompactPCI 128-ch isolated Digital I/O card
- PCL-101100S-1: 100-pin SCSI Cable, 1 m
- ADAM-39100: 100-pin SCSI wiring terminal, DIN-rail mounting