

ARK-1124H

Intel Atom™ E3940 QC SoC With Dual HDMI/ Dual LAN Ultra Small Modular Fanless Box PC

Preliminary

* Dual Layer Model is ARK-1124 with optional AMO-1101 and iDoor



Features

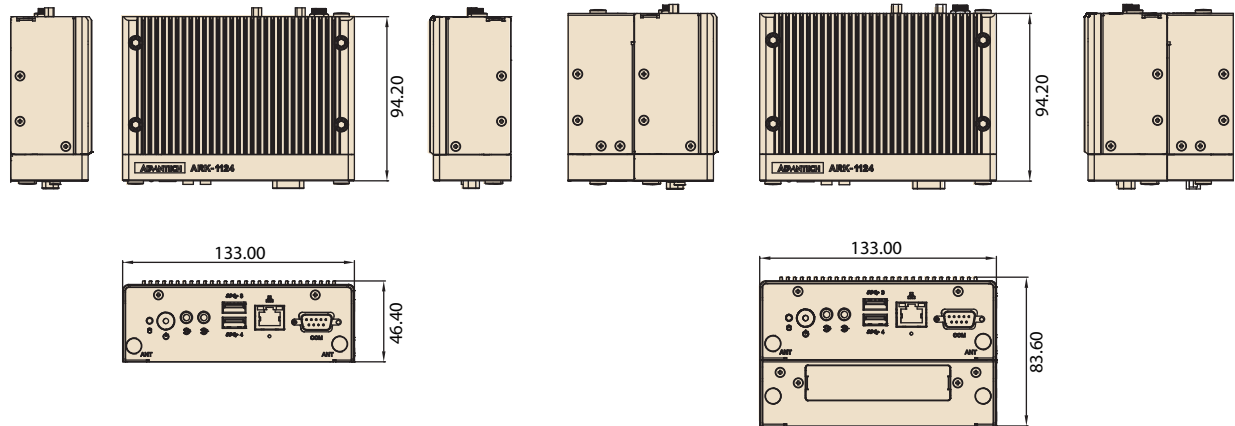
- Intel Atom E3940 Quad Core SoC support
- Dual HDMI independent display support 4k2k resolution
- Mini PCIe expansion for WLAN, WWAN and mSATA
- 1 x M.2 E Key for WIFI module
- Optional TPM on board for security
- 20 ~ 60 °C extended operating temperature
- 12V lockable DC jack power input
- Advantech iDoor module compatible (Dual Layer)
- Advantech WISE-PaaS/RMM support

Specifications

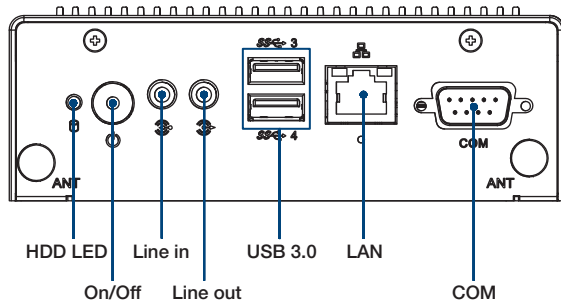
		ARK-1124H-S6A1E
Processor System	CPU	Intel Atom™ E3940 Quad Core Soc
	Frequency	1.6 GHz, turbo burst 1.8 GHz
	L2 Cache	2 MB
	BIOS	AMI EFI
Memory	Technology	DDR3L 1866 MHz
	Max. Capacity	8 GB
	Socket	1 x 204-pin SO-DIMM
Graphics	Chipset	Intel Atom™ integrated, Gen 9th low power
	Graphic Engine	4K Codec Decode& Encode for H.264, MPEG2, MVC, VC-1, WMV9, H.265 / HEVC, VP8, JPEG / MJPEG
	HDMI	HDMI 1.4b 3840 x 2160 @ 30Hz
	Dual Display	Yes, HDMI + HDMI , both display support 4K2K resolution
Ethernet	LAN1	10/100/1000 Mbps Intel i210 GbE, support Wake On Lan
	LAN2	10/100/1000 Mbps Intel i210 GbE, support Wake On Lan
Audio	Interface	Realtek ALC888S, High Definition Audio. Line-out, Line-in
IO Interface	Serial Ports	1 x RS-232/422/485 port with auto flow control
	USB Interface	4 x USB 3.0
Other	Watchdog timer	255 levels timer interval, setup by software
Expansion	Mini PCIe	1 x full-size mPCIe for WLAN/WWAN 1 x M.2 E-key for WIFI
	Storage	HDD SSD
Software Support	Microsoft Windows	Windows 10 Enterprise, Windows 10 IoT Core
	Linux	Support by project
Power Requirement	Power Type	AT/ATX
	Power Input Voltage	12V _{DC} (Optional 12~24V power module, T-PN MOQ 30, Dual Layer)
	Minimum Power Input	12 V, 1.5 A
Power Consumption	Power Adapter	AC to DC, DC12 V/3 A, 60 W with lockable DC Jack
	Typical	TBC
Mechanical	Max.	TBC
	Construction	Aluminum housing
	Mounting	DIN-Rail/Wall/VESA Mounting Kits (Optional)
	Dimensions (W x H x D)	133 x 46.4 x 94.2mm (5.24" x 1.83" x 3.71")
Environment	Weight	TBC
	Operating Temperature	With extended temperature peripherals: -20 ~ 60 °C (-4 ~ 140 °F) with 0.7m/s air flow With 2.5-inch hard disk 0 ~ 40 °C (32 ~ 104 °F) with 0.7m/s air flow
	Storage Temperature	-40 ~ 85 °C (-40 ~ 185 °F)
	Relative Humidity	95% @ 40 °C (non-condensing)
	Vibration During Operation	With SSD: 3 Grms, IEC 60068-2-64, random, 5 ~ 500 Hz, 1 hr/axis. With HDD: 0.5Grms, IEC 60068-2-64, random, 5~500Hz, 3 axes, 1hr/axis
	Shock During Operation	With SSD: 30 G, IEC 60068-2-27, half sine, 11 ms duration With HDD: 10G, IEC 60068-2-27, half sine, 11 ms duration
	EMC	CE/FCC Class B, CCC, BSMI
Safety Certifications	UL CB, CCC and BSMI	

Dimensions

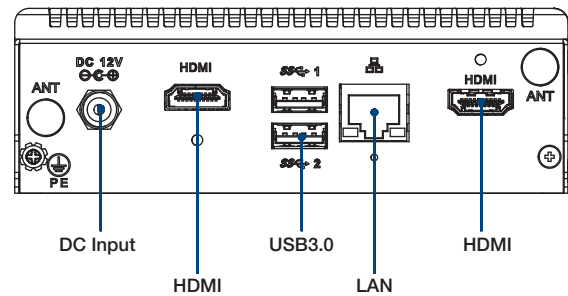
Unit: mm



Front Panel External I/O Mechanical Layout/Drawing



Rear Panel External I/O Mechanical Layout/Drawing



Ordering Information

Part No.	CPU	HDMI	GbE	USB 3.0	RS-232/422/485	Audio	Full-size MiniPCIe	mSATA	2.5" SATA III HDD Bay	Power Input	Operating Temp.
ARK-1124H-S6A1E	Intel Atom E3940 1.6 GHz SoC	2	2	4	1	Lin-out, Line-in	1	1 (H/S)	1	12 V _{DC}	-20 ~ 60 °C

Note: Memory, storage and operating system bundled by request.

Packing List

Part Number	Description
-	1 x ARK-1124H Unit
-	1 x User Manual (Simplified Chinese)
96PSA-A60W12W6	A/D 100-240V 60W 12V C14 LOCKABLE DC PLUG

Optional Embedded OS

Part Number	Description
TBC	Win10 IoT Enterprise Entry 64bit

Optional Item for Default SKU

Part Number	Description
1702002600	Power cable 3-pin 183cm, USA type
1702002605	Power cable 3-pin 183cm, EU type
1702031801	Power cable 3-pin 183cm, UK type
AMK-W001E	ARK-112X series Wall mounting kit
AMK-V003E	ARK-112X series VESA mounting kit
AMK-R001E	ARK-112X series DIN-rail mounting kit
1700023855-01	1M lockable HDMI cable
1700023856-01	3M lockable HDMI cable

ARK Plus Extended Modules

AM0-1101 iDoor module kit



Specifications

General	
Features	For iDoor and power module expansion
Contents	Mechanical kit for iDoor module
Dimension	133 x 37 x 94.2 mm
Operating temperature	-20~ 60°C

Ordering Information

P/N	Description
AM0-1101	2nd Layer iDoor module kit

* AM0-1101 support iDoor module x1 (by CTOS). iDoor module is optional, please select optional module when ordering

* AM0-1101 support iDoor module x1 and 12-24V power module x1 (by T-PN, MOQ =30)

ARK-1124 Dual Layer Expansion Option Items

Optional iDoor Expansion

Part Number	Description
MOS-2230-Z1201E	CANBus module, 2-Ch, USB Interface
MOS-2220-X1101E	Parallel LPT module, 1-Ch, USB Interface
MOS-2110Z-1201E	USB module, 2-Ch, PCIe Interface
MOS-2120-Z1101E	Giga LAN Ethernet module, 1-Ch, PCIe Interface
MOS-1120Y-0201E	Isolated RS-232, 2-Ch, DB9, PCIe Interface
MOS-1121Y-0201E	Isolated RS-422/485, 2-Ch, DB9, PCIe Interface
MOS-1120Y-1401E	Non-Isolated RS-232, DB37, 4-Ch, PCIe Interface
MOS-1121Y-1401E	Non-Isolated RS-422/485, DB37, 4-Ch, PCIe Interface
MOS-1130Y-0201E	Isolated CANBus, 2-Ch, DB9, PCIe Interface
MOS-1110Y-0101E	Isolated 16 DI/8 DO, 1-Ch, DB37, PCIe Interface
MOS-2220-Z1101E	High Speed COM module, 1-Ch, USB Interface