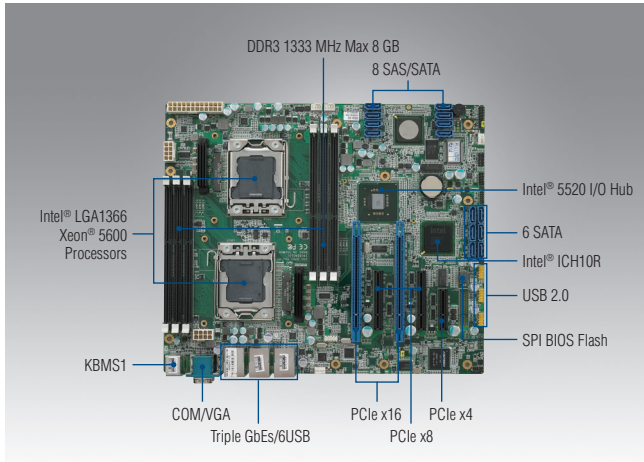


# ASMB-310

## Dual LGA 1366 Intel® Xeon® 5500/5600 CEB Server Board with 2 PCIe x16 or 4 PCIe x8, SAS RAID



### Features

- High density CEB with dual processors, 6 DIMMs, on-board SAS, 6 PCIe Gen 2.0, IPMI
- Dual LGA 1366 Intel® Xeon® 5500/5600 processors
- DDR3 1333MHz up to 96GB
- Dual Gen 2.0 PCIe x16 or quad PCIe x8 slots
- 8 SAS ports, 6 SATA ports, totally 14 storage ports

**Software APIs:**

- SMBus
- H/W Monitor

**Utilities:**

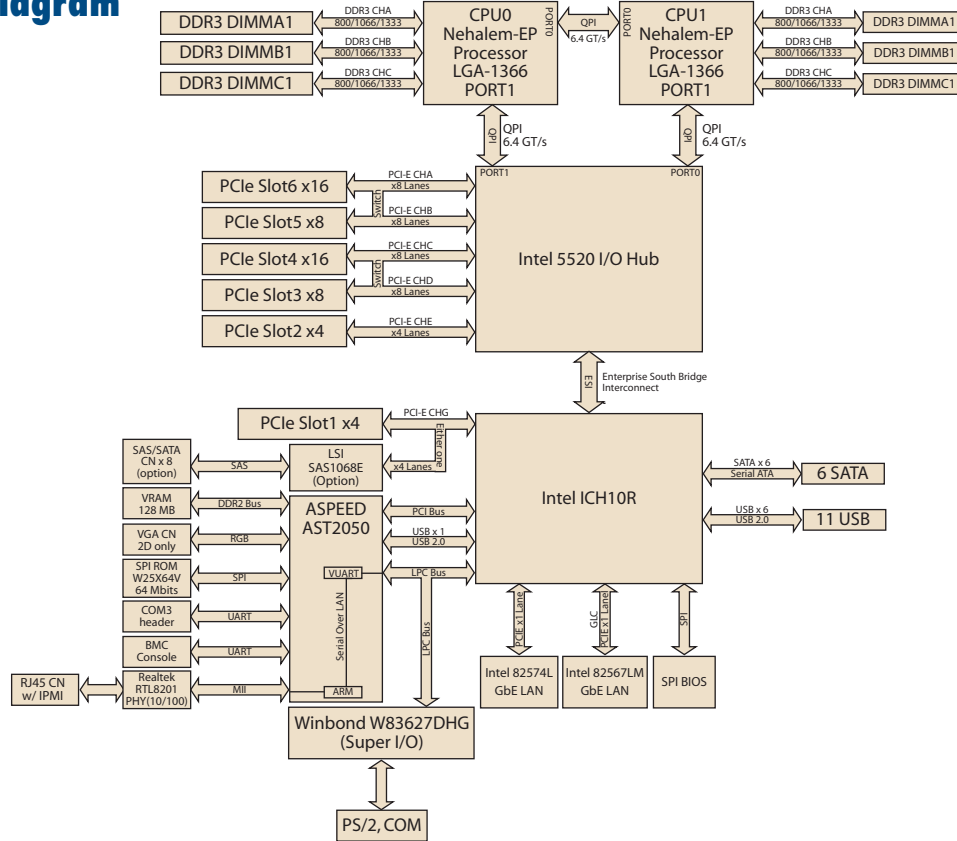
- Monitoring
- Embedded Security ID (optional)

Note: Two CPU coolers are included in packing list.

### Specifications

Form Factor	CEB form factor	
Processor System	Socket	2 x socket 1366
	CPU type	Intel Xeon 5600 series, Intel Xeon X5500 series (95 W), Intel Xeon E5500 series (80 W), Intel Xeon L5500 series (60 W/38 W)
Core Logic	Bus	QPI 4.8 / 5.86 / 6.4 GT/s
	Chipset	Intel 5520 chipset IOH, Intel ICH10R I/O controller
Memory	Total slots	6 (3-channel per CPU, 3 DIMM per CPU)
	Capacity	Maximum up to 96 GB
	Memory type	DDR3 800/1066/1333 reg DIMM/unbuffered DIMM with ECC
Expansion Slots (SSI location #)	Memory size	1 GB, 2 GB, 4 GB, 8 GB, 16 GB
	Total PCI/PCI-X/PCIe slots	6
	Slot location 1	1 x PCIe x4 (Gen1 X4 link) (This slot is not available in ASMB-310IR SKU)
	Slot location 2	1 x PCIe x4 (Gen2 X4 link)
	Slot location 3	1 x PCIe x8 (Gen2 X8 link)
	Slot location 4	1 x PCIe x16 (Gen2 X16 link) (Auto switch to x8 link if slot 3 is occupied)
	Slot location 5	1 x PCIe x8 (Gen2 X8 link)
	Slot location 6	1 x PCIe x16 (Gen2 x16 link) (Auto switch to x8 link if slot 5 is occupied)
Graphics	VGA	Aspeed AST2050 DDR2 512 Mbit (64 MB)
	IDE controller	-
Storage	SATA controller	Intel ICH10R: 6 SATA2 300 MB/s ports, Intel Matrix Storage (for Windows only) (Supports software RAID 0, 1, 10 & 5)
	SAS controller	LSI 1068E SAS/SATA controller and supports firmware RAID 0, 1 (ASMB0-310IR SKU only)
Networking	GbE LAN	1 x Intel 82574L + 1 x Intel 82567LM + dedicated LAN port for remote management function (management LAN is available in ASMB-310IR SKU only)
Onboard I/O Connectors	Floppy connector	-
	PSU connector	24-pin SSI power connector + 8-pin SSI 12 V + 8-pin SSI 12 V power connector
	USB connector	3 (supports 5 USB port)
	Fan header	5 x 4pin
	SMBus	-
	Chassis intruder	1
	Front LAN LED	2
Rear I/O Connectors	Serial port header	1
	External serial port	1
	External USB port	6
	VGA port	1
	RJ-45	2
	PS/2 KB/mouse	1
Management Solution	Infiniband	-
	Software	-
Monitoring	Out of band remote management	Yes (ASMB-310IR SKU only)
	CPU temperature	Yes
Watchdog Timer	System Monitoring	Yes
	Output	System reset
Power Requirement	Interval	Programmable 1 ~ 255 sec/min
	Power On	12V 5V 3.3V 5Vsb
		22.62A 9.82A 12.86A 0.03A
Environment	Operating	Non-operating
	Temperature	0 ~ 50° C -40 ~ 85° C
Physical Characteristics	Humidity	0% ~ 90% 5% ~ 95% (Non condensing)
	Dimensions	304.8 x 257.05 mm (12" x 10.12")

## Block Diagram



## Ordering Information

Part Number	HDD	Expansion Slot	IPMI
ASMB-310-00A1E	6 SATA	4 x PCIe x8 (or 2 x PCIe x16), 2 x PCIe x4	-
ASMB-310IR-00A1E	6 SATA + 8 SAS/SATA	4 x PCIe x8 (or 2 x PCIe x16), 1 x PCIe x4	Yes

## Packing List

Part Number	Description	Quantity
1700003194	SATA data cables	x 2
1960048321T000	I/O shield	x 1
2066310R00	Driver CD	x 1
2006310R10	Startup manual	x 1
1960048304N001	CPU Coolers (For 2U/4U system)	x 2
1703150102	SATA power cable	x 2

## Bracket View



ASMB-310-00A1E



ASMB-310IR-00A1E