

# TPC-651H TPC-1251H TPC-1551H

## 5.7" VGA/12.1" SVGA/15" XGA TFT LED LCD Intel® Atom™ Thin Client Terminals with Wide Operating Temperatures



### Features

- Intel® Atom™ Z520 1.33 GHz processor
- 5.7" VGA/12.1" SVGA/15" XGA TFT LED backlight LCDs
- -20 ~ 60°C wide operating temperature
- Compact design with die-cast Al alloy front bezel
- Fanless cooling system
- IP65 compliant front panel
- Supports Microsoft® Windows WES7/XP/XPe/CE
- Dual Gigabit Ethernet supported
- Isolation Protection for Serial ports
- Energy Star approved
- Supports external 2.5" SATA HDD kit

### Introduction

With a high quality TPC product line, TPC extends its Touch Panel Computer family with Intel® Atom™ platform for 5.7", 12.1" & 15". They are designed with Intel® Atom™ eMenlow XL processor as its core. The Intel® Atom™ has low power consumption and wide operating temperature. This system is fanless, slim design and the front bezel is die-cast Al alloy material. This product also provides a -20 ~ 60°C wide operating temperature solution and complete isolation protection for its serial ports. TPC series are durable and reliable platform.

### Specifications

#### General

- **BIOS** Award® 4Mbit
- **Certification** BSMI, CCC, CE, FCC Class A, UL
- **Cooling System** Fanless design
- **Dimensions (W x H x D)** 651H: 195 x 148 x 58 mm (7.68" x 5.83" x 2.28")  
1251H: 311 x 237 x 54 mm (12.24" x 9.33" x 2.12")  
1551H: 383 x 307 x 58.1 mm (15.08" x 12.09" x 2.29")
- **Enclosure** TPC-651H Front Bezel: PC/ABS Resin  
1251H/1551H Front bezel: Die-cast Aluminum alloy  
Back housing: SECC
- **Mounting** Desktop, Wall (only for TPC-1251H/1551H) or Panel Mount
- **OS Support** Windows XP/WES7/XPe/CE/Linux
- **Power Consumption** 17 W/35 W/40 W (typical)
- **Power Input** 18 ~ 32 V<sub>DC</sub>
- **Watchdog Timer** 1 ~ 255 sec (system)
- **Weight (Net)** 1.43 kg (3.15 lb)/2.5 kg (5.51 lb)/3 kg (6.61 lb)

#### System Hardware

- **CPU** Intel® Atom™ 1.33 GHz with 512KB cache
- **Chipset** eMenlow XL + Poulsbo
- **Memory** 1GB SO-DIMM DDR2 667 SDRAM  
Up to 2GB (One channel)
- **LAN** 10/100/1000Base-T x 2
- **Storage** CompactFlash® slot x 1  
Optional, external 2.5" SATA HDD kit
- **I/O** RS-232 x 1 (with isolation)  
RS-422/485 x 1 (with isolation)  
USB 2.0 x 2 (Host)

#### LCD Display

- **Display Type** VGA/SVGA/XGA TFT LED LCD
- **Display Size** 5.7"/12.1"/15"
- **Max. Resolution** 640 x 480/800 x 600/1024 x 768
- **Max. Colors** 262 K
- **Luminance cd/m<sup>2</sup>** 700/450/350
- **Viewing Angle (H/V°)** 160/140
- **Backlight Life** 50,000 hrs
- **Contrast Ratio** 800:1/700:1/700:1

#### Touchscreen

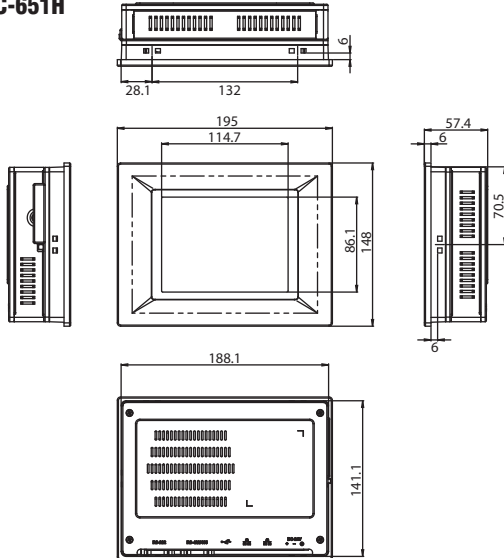
- **Lifespan** 10 million touches at single point
- **Light Transmission** Above 75%
- **Resolution** Linearity
- **Type** 5-wire, analog resistive

#### Environment

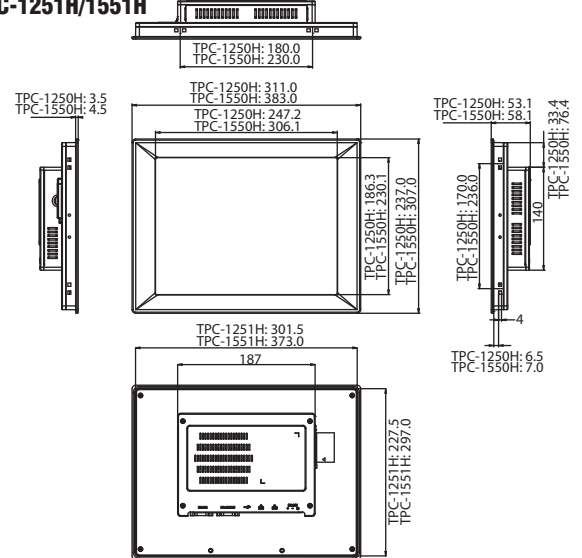
- **Humidity** 10 ~ 95% RH @ 40°C, non-condensing
- **Ingress Protection** Front panel: IP65
- **Operating Temperature** -20 ~ 60°C (-4 ~ 140°F)
- **Storage Temperature** -30 ~ 80°C (-22 ~ 176°F)
- **Vibration Protection** 2 Grms (5 ~ 500 Hz)  
(Operating, random vibration)

## Dimensions

### TPC-651H



### TPC-1251H/1551H



Unit: mm

**Panel Cut-out Dimensions:** TPC-651H: 189.1 x 142.1 mm (7.56" x 5.68")  
 TPC-1251H: 302.5 x 228.5 mm (12.1" x 9.14")  
 TPC-1551H: 374.5 x 298.5 mm (14.98" x 11.94")

## Ordering Information

- **TPC-651H-Z2AE** 5.7" VGA Touch Panel PC, Atom 1.33GHz, 1GB
- **TPC-1251H-Z2AE** 12.1" SVGA Touch Panel PC, Atom 1.33GHz, 1GB
- **TPC-1551H-Z2AE** 15" XGA Touch Panel PC, Atom 1.33GHz, 1GB

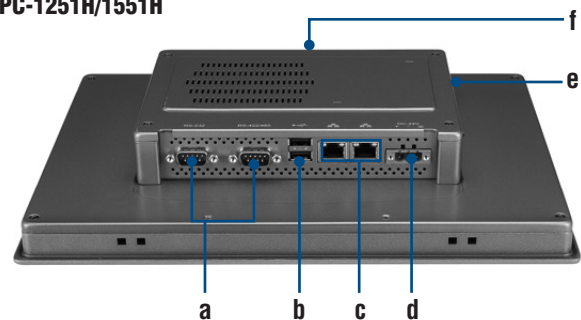
### Accessories

- **TPC-1000H-WMKE** TPC series wallmount kit from 10" to 17"
- **TPC-1000H-SMKE** TPC series stand kit from 10" to 17"
- **TPC-651H-EHKE** TPC-651H/1251H/1551H Extension HDD Kit
- **PWR-247-AE** 24 V 50 W AC-DC Power Adapter
- **1702002600** Power Cord 3P UL/CSA(USA) 125V 10A 1.83M

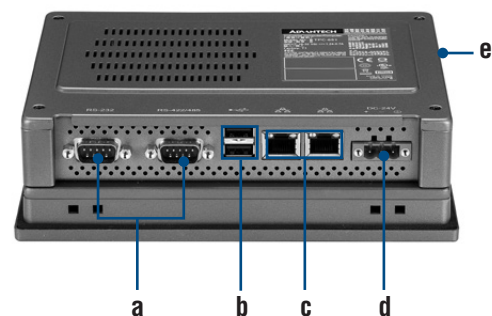
\* VESA support via a wall mounting kit (only for TPC-1251H/1551H)

## Rear View

### TPC-1251H/1551H



### TPC-651H



- a. COM (RS-232, RS-422/485)
- b. USB 2.0
- c. LAN (10/100/1000)
- d. Power Receptor
- e. CompactFlash
- f. External HDD kit (TPC-651H-EHKE)